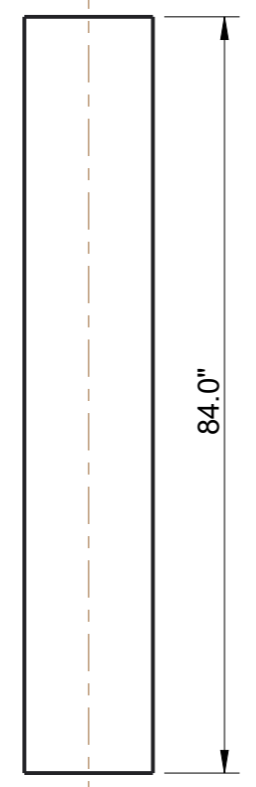
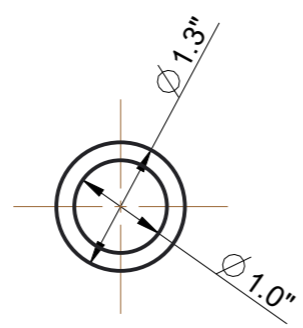
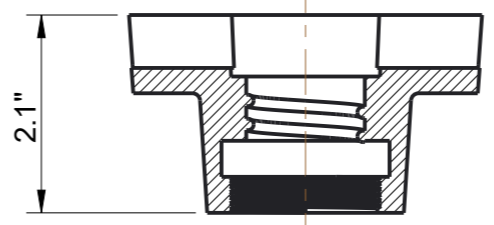
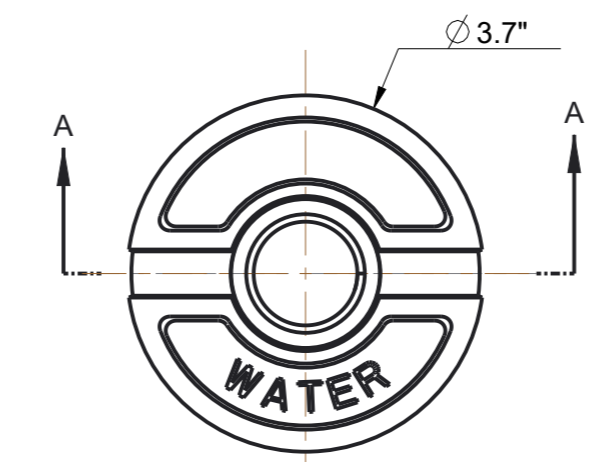


SECTION B-B

SERVICE BOX

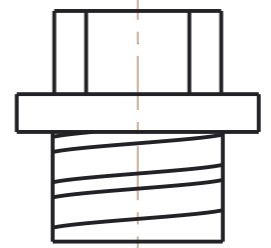
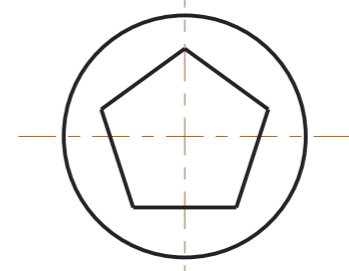


PIPE

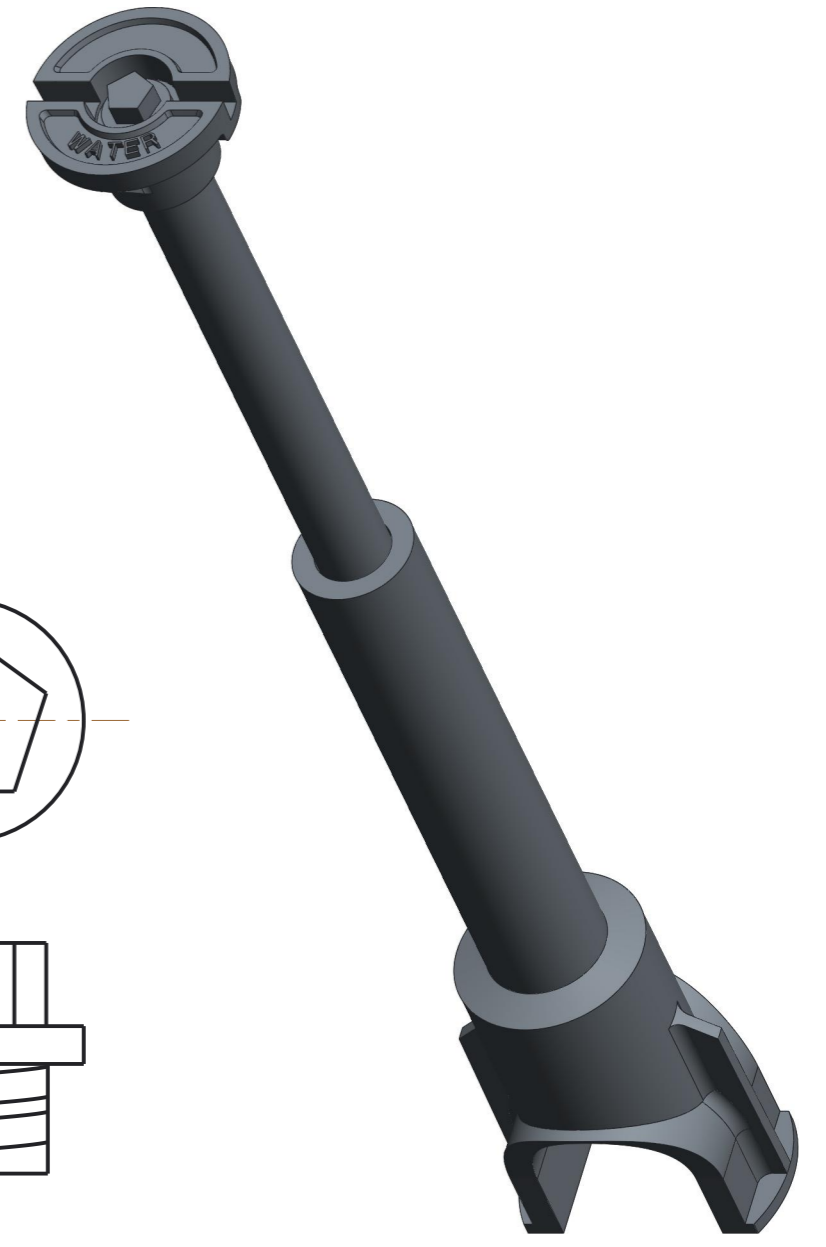


SECTION A-A

CAP





BRASS NUT



ALL DIMENSIONS ARE IN INCH.

MATERIALS:-

1. Base : ASTM A48 CL30B
2. Lid : ASTM A48 CL30B
3. Plug : Brass
4. Pipe : 1" ASTM A500-10 Grade C
5. Spring Clip : ASTM-A-229

01	Feb-23-26	Components Material Notes Added		
REV NO.	DATE			
	SIGN	DATE		APG Castings Inc. Suite 232, 14-3650 Langstaff Road, Woodbridge, ON, L4L 9A8
DRAWN	T.JANA	Nov-19-21		
CHKED	M.GANGULY	Nov-19-21		
QA			TITLE:	SERVICE BOX 18-7
MFG				
APPRVD			SCALE:	
BUYER			NTS	
ESTMTD. WT.			 THIRD ANGLE	DWG NO. LOAD RATING
				PAINT BLACK BITUMEN
				MATERIAL CAST IRON SHEET