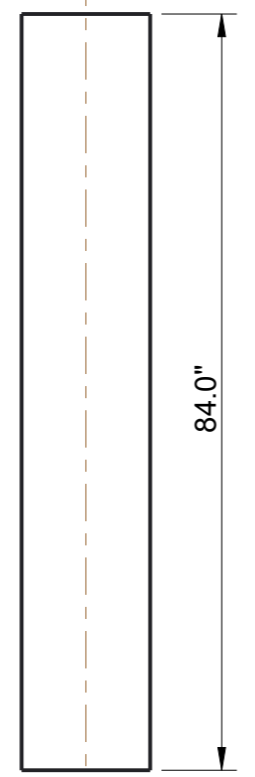
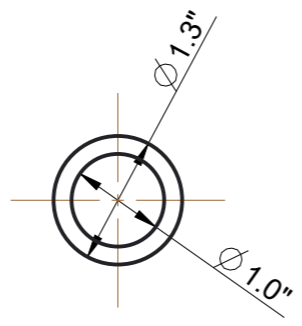
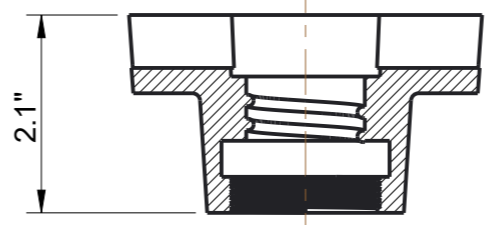
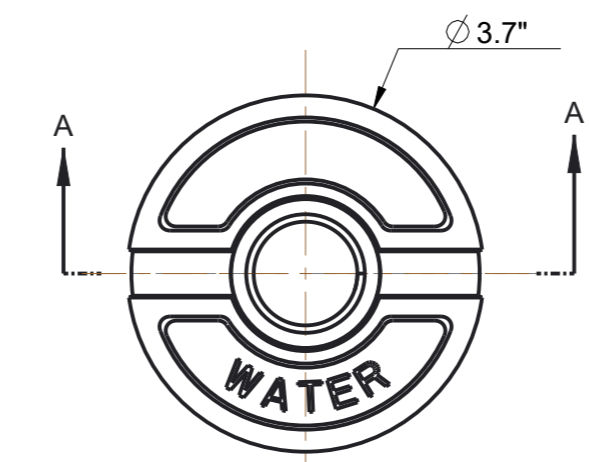


SECTION B-B SERVICE BOX BASE

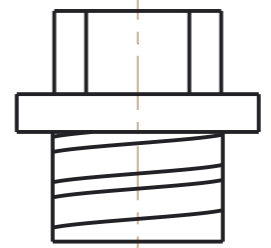
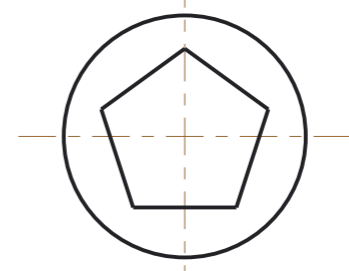


PIPE

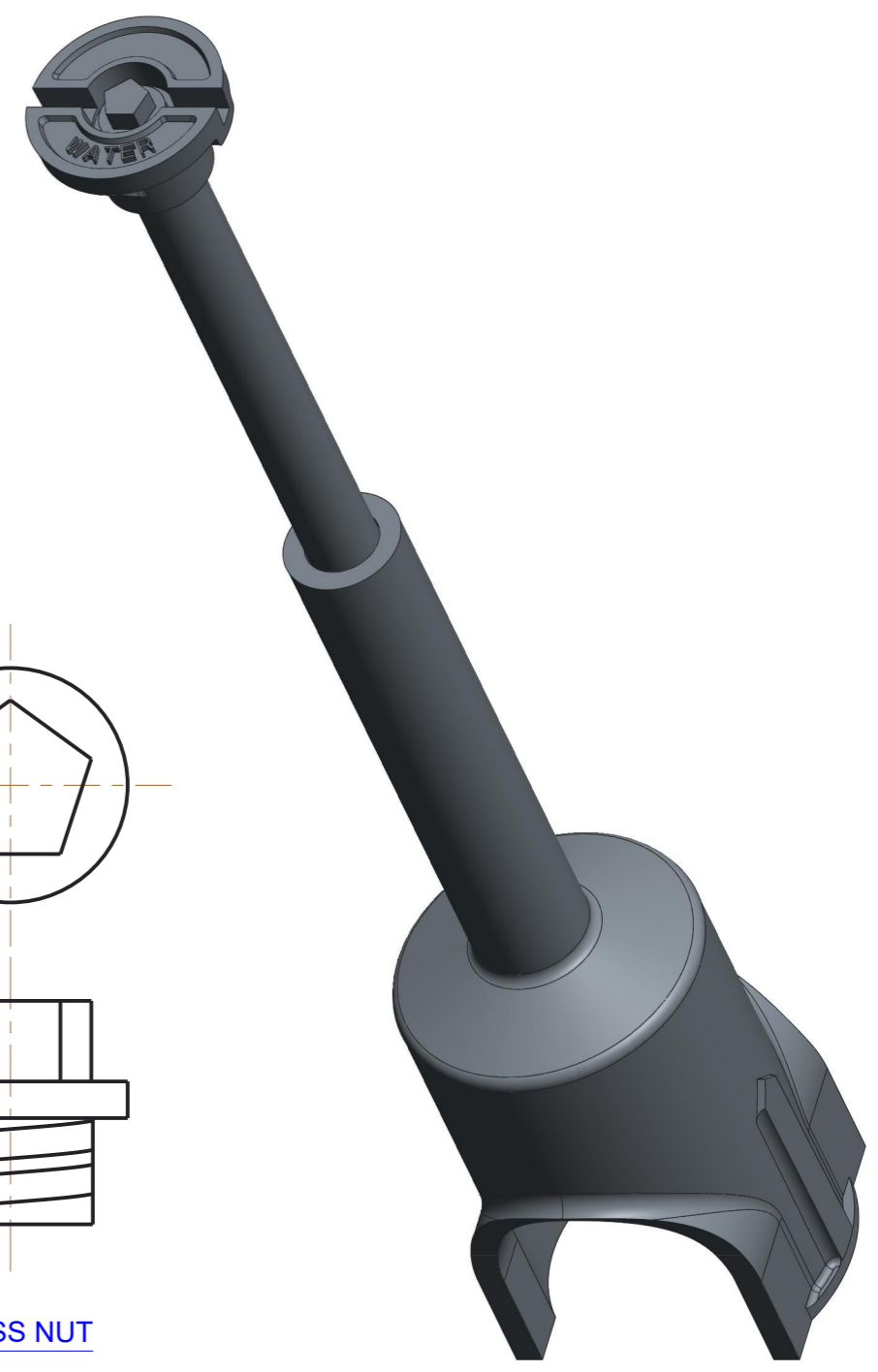


SECTION A-A

CAP





BRASS NUT



ALL DIMENSIONS ARE IN INCH.

MATERIALS:-

1. Base : ASTM A48 CL30B
2. Lid : ASTM A48 CL30B
3. Plug : Brass
4. Pipe : 1" ASTM A500-140 Grade C
5. Spring Clip : ASTM-A-229

01	Feb-23-26	Components Material Notes added				
REV NO.	DATE					
	SIGN	DATE	 APG Castings Inc. Suite 232, 14-3650 Langstaff Road, Woodbridge, ON, L4L 9A8			
DRAWN	T.JANA	Nov-19-21				
CHKED	M.GANGULY	Nov-19-21	TITLE: D2 SERVICE BOX			
QA						
MFG			SCALE: NTS			
APPRVD BUYER						
ESTMTD. WT.			 THIRD ANGLE	DWG NO. LOAD RATING	PAINT BLACK BITUMEN	MATERIAL CAST IRON SHEET