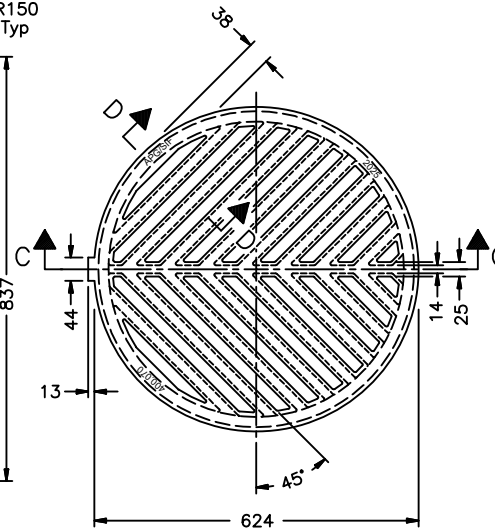
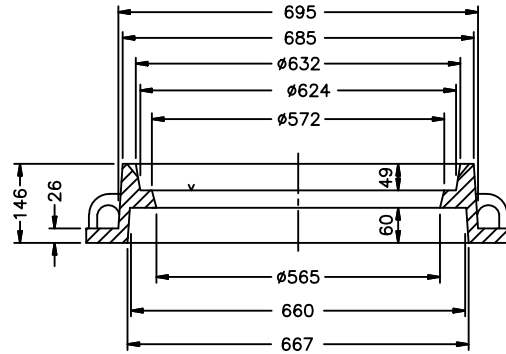


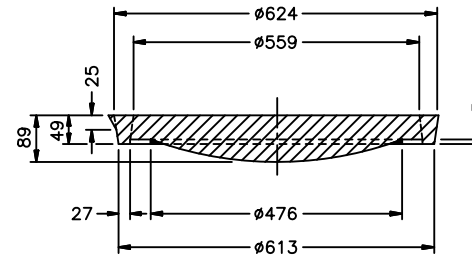
FRAME PLAN



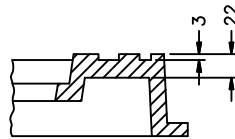
GRATE PLAN



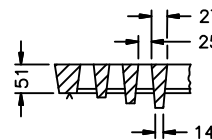
SECTION A-A



SECTION C-C




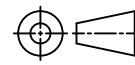
SECTION B-B



SECTION D-D

**NOTES:**

1. All dimension are in millimeter unless otherwise shown.
2. Material: Cast Iron ASTM A48 Clas 30B
3. Tolerance should be  $\pm 0.0625$ " ,unless otherwise specified.

REV. NO	DATE					
	SIGN	DATE	 <p><b>APG Castings Inc.</b> Suite 232, 14-3650 Langstaff Rd, Woodbridge, ON, L4L 9A8</p>			
DRAWN	T.JANA	17.10.2025				
CHECKED	M. GANGULY	17.10.2025				
QA						
MFG			TITLE :- <b>OPSD 400.070</b>			
APPRVD BUYER			SCALE	 <p>THIRD ANGLE</p>	DWG NO :-	Material:- CAST IRON
ESTMTD. WT			NTS		LOAD RATING :	PAIN: UNPAINTED