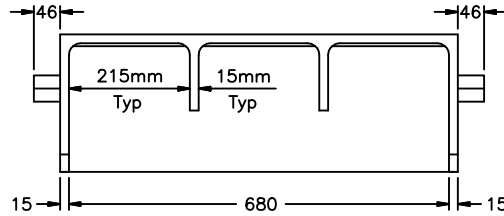
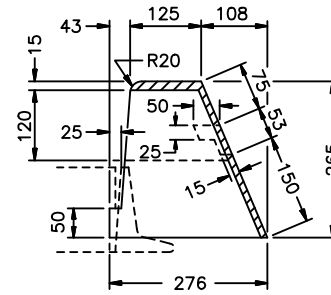


TOP VIEW

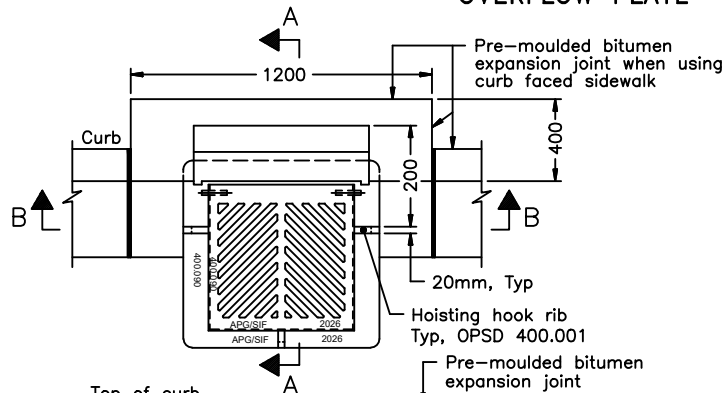


FRONT VIEW

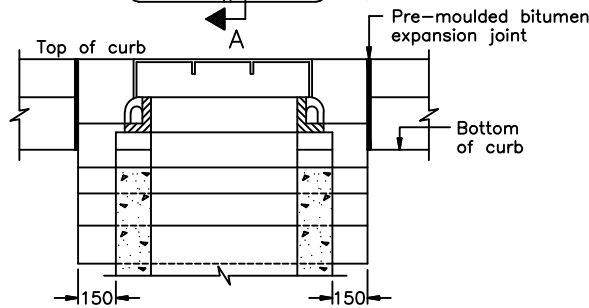
OVERFLOW PLATE



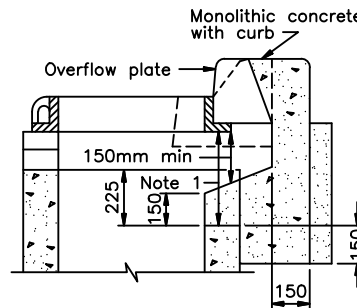
SECTION C-C



INSTALLATION DETAIL




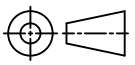
SECTION B-B



SECTION A-A

NOTES:

1. Temporary brick bulkhead prior to setting final grade of the frame with grate.
2. Catch basin shall have 250mm diameter minimum lead.
3. All dimensions are in millimeter unless otherwise shown.
4. Material: Cast Iron ASTM A48 Class 30B
5. Tolerance should be ± 0.0625 ", unless otherwise specified.

REV. NO	DATE	SIGN	DATE	APG Castings Inc. Suite 232, 14-3650 Langstaff Rd, Woodbridge, ON, L4L 9A8		
DRAWN	T.JANA	17.10.2025			TITLE :- OPSD 400.090	
CHECKED	M. GANGULY	17.10.2025				
QA				SCALE NTS  THIRD ANGLE	DWG NO :-	Material:- CAST IRON
MFG						
APPRVD BUYER						
ESTMTD. WT						