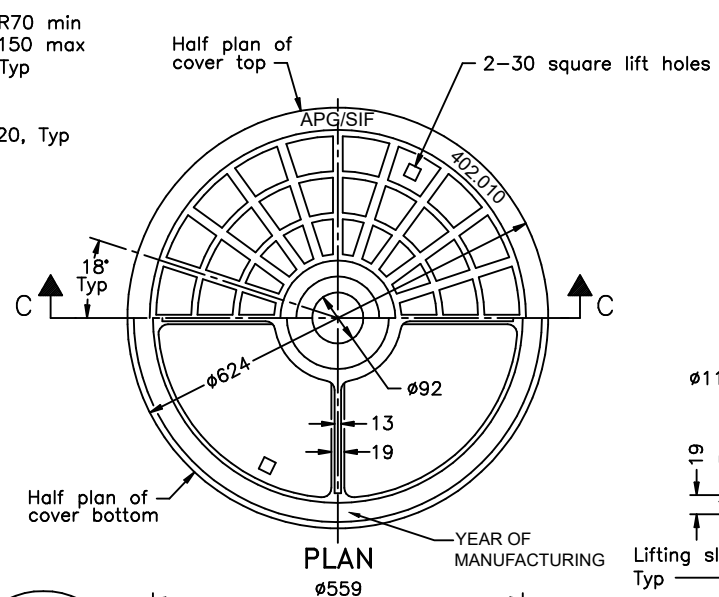


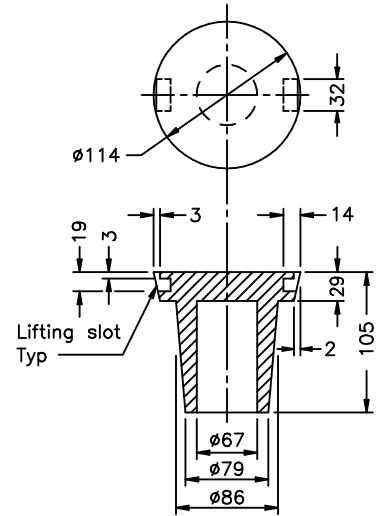
FRAME PLAN

Hoisting hook rib
Typ, OPD 400.001

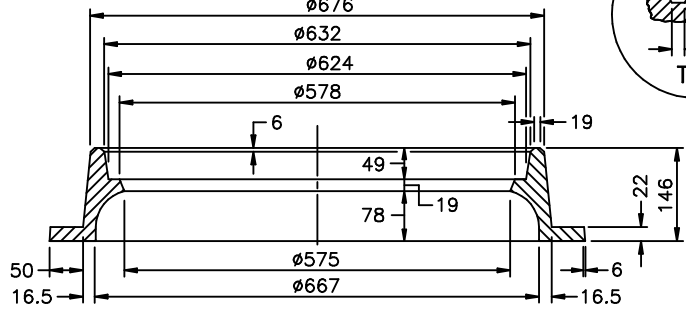


PLAN

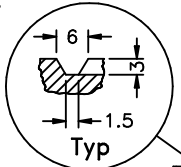
YEAR OF
MANUFACTURING



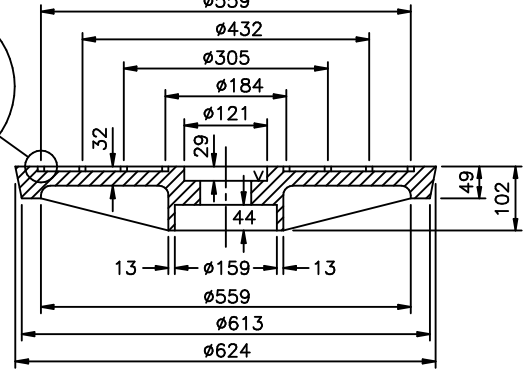
PLUG DETAIL



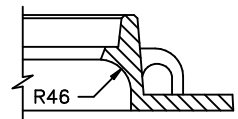
SECTION A-A



Typ



SECTION C-C



SECTION B-B

NOTES:

1. All dimension are in millimeter unless otherwise shown.
2. Material: Cast Iron ASTM A48 Clas 30B
3. Tolerance should be ± 0.0625 ", unless otherwise specified.

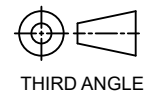
REV. NO	DATE	
	SIGN	DATE
DRAWN	T.JANA	17.10.2025
CHECKED	M.GANGULY	17.10.2025
QA		
MFG		
APPRVD		
BUYER		
ESTMTD. WT		



APG Castings Inc.
Suite 232, 14-3650 Langstaff Rd,
Woodbridge, ON, L4L 9A8

TITLE :- **OPSD 402.010**

SCALE
NTS



DWG NO :-

LOAD RATING :

PAINT:
UNPAINTED

Material:-
CAST IRON

SHEET :
1 OF 1