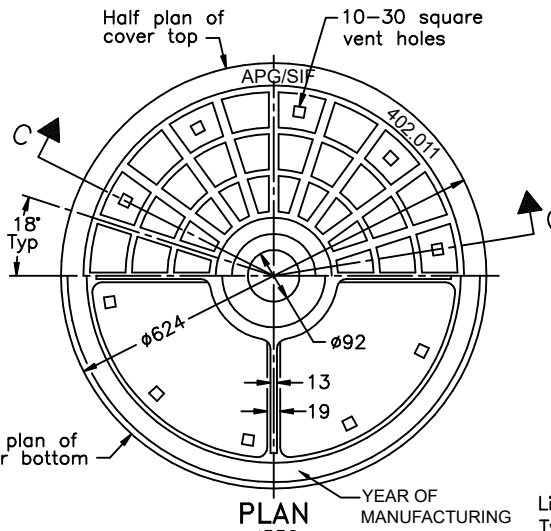
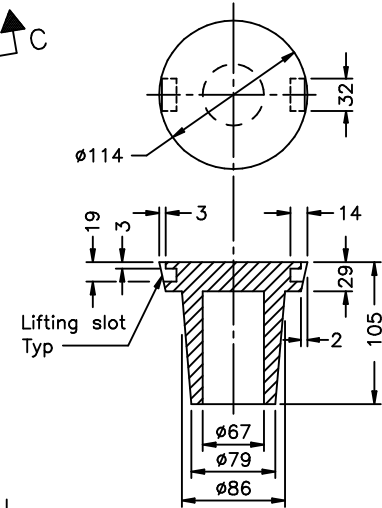


FRAME PLAN

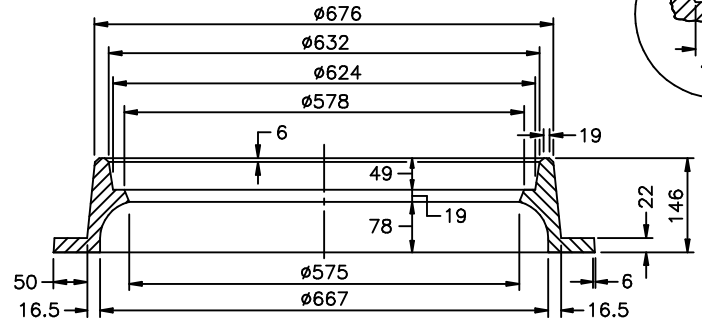


PLAN

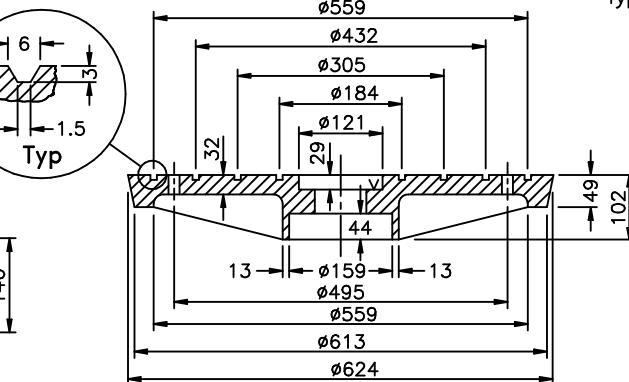
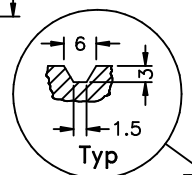


PLUG DETAIL

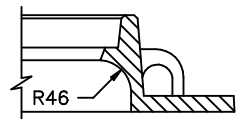
Hoisting hook rib  
Typ, OPD 400.001



SECTION A-A




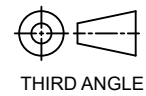
SECTION C-C



SECTION B-B

**NOTES:**

1. All dimensions are in millimeter unless otherwise shown.
2. Material: Cast Iron ASTM A48 Clas 30B
3. Tolerance should be  $\pm 0.0625$ ", unless otherwise specified.

REV. NO	DATE	SIGN	DATE	 <p><b>APG Castings Inc.</b> Suite 232, 14-3650 Langstaff Rd, Woodbridge, ON, L4L 9A8</p>			
DRAWN	T.JANA	17.10.2025					
CHECKED	M. GANGULY	17.10.2025					
QA							
MFG				<p><b>TITLE :- OPD 402.011</b></p>			
APPRVD					<p>SCALE <b>NTS</b></p>  <p>THIRD ANGLE</p>	<p>DWG NO :-</p>	<p>Material:- CAST IRON</p>
BUYER						<p>LOAD RATING :</p>	<p>PAINT: UNPAINTED</p>
ESTMTD. WT							