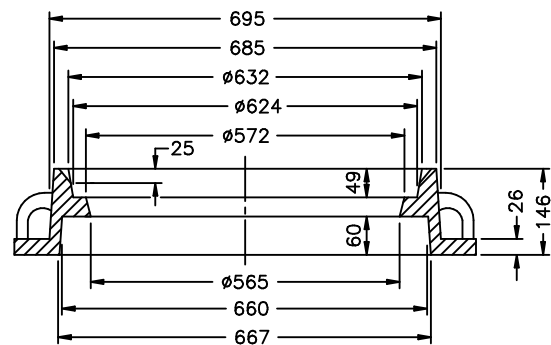
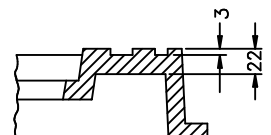


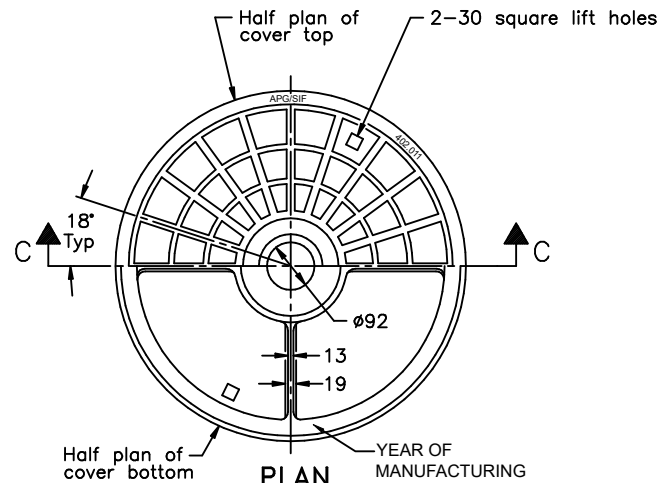
FRAME PLAN



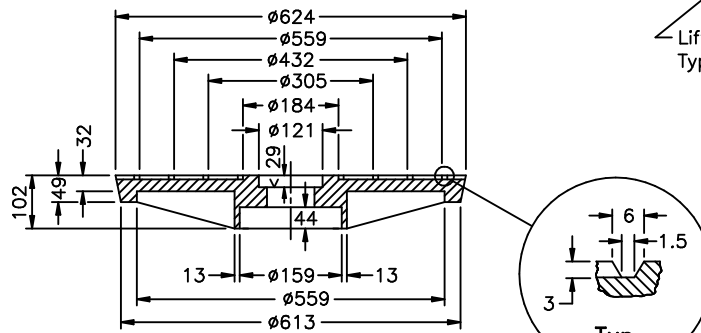
SECTION A-A



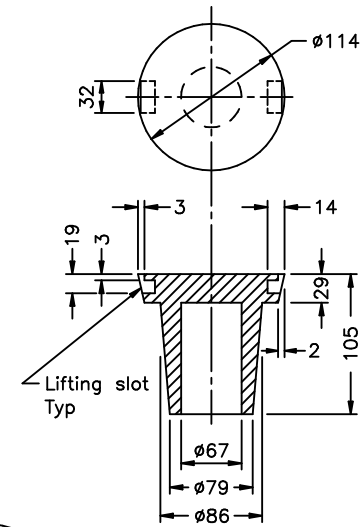
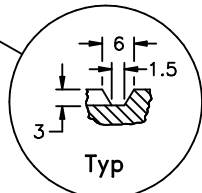
SECTION B-B



PLAN


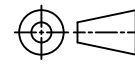


SECTION C-C



PLUG DETAIL

- NOTES:**
1. All dimensions are in millimeter unless otherwise shown.
  2. Material: Cast Iron ASTM A48 Clas 30B
  3. Tolerance should be  $\pm 0.0625$ ", unless otherwise specified.

REV. NO	DATE	SIGN	DATE	 <p><b>APG Castings Inc.</b> Suite 232, 14-3650 Langstaff Rd, Woodbridge, ON, L4L 9A8</p>				
DRAWN	T.JANA	17.10.2025						
CHECKED	M. GANGULY	17.10.2025						
QA								
MFG				TITLE :- <b>OPSD 402.020</b>				
APPRVD BUYER				SCALE NTS	 <p>THIRD ANGLE</p>	DWG NO :-	Material:- CAST IRON	
ESTMTD. WT						LOAD RATING :	PAIN: UNPAINTED	SHEET : 1 OF 1