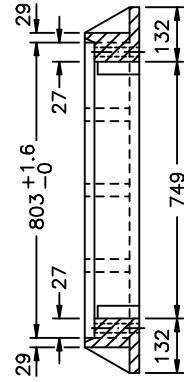
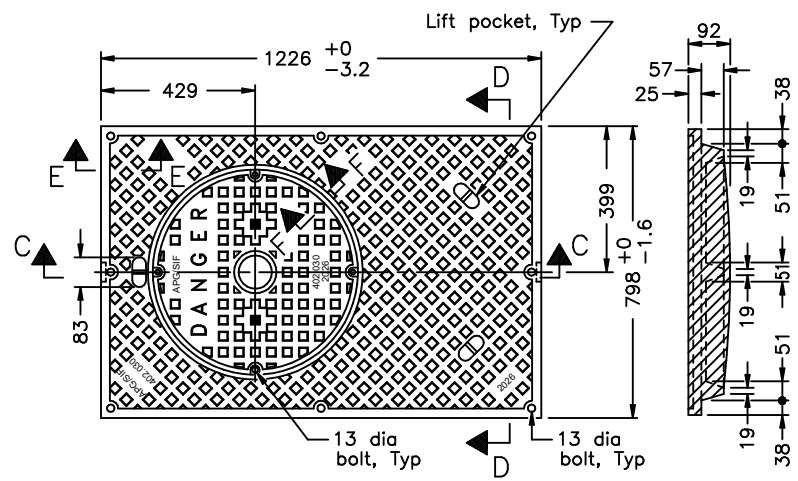


FRAME PLAN

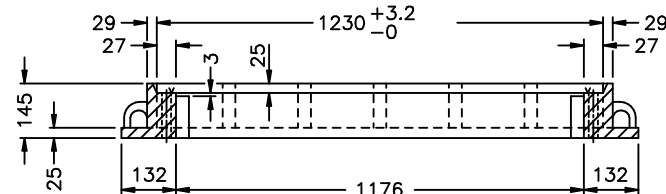


SECTION A-A

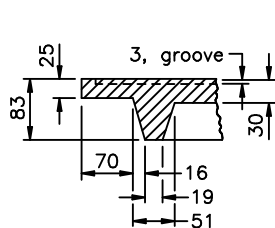


LARGE COVER PLAN

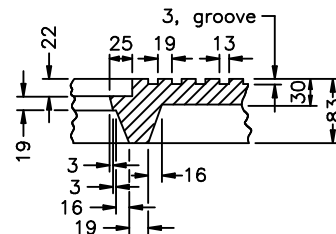
SECTION D-D



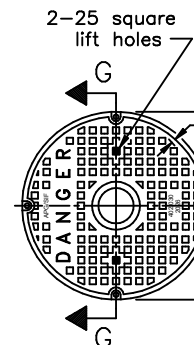
SECTION B-B



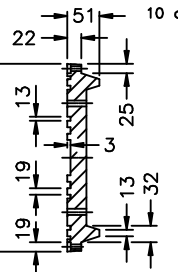
SECTION E-E



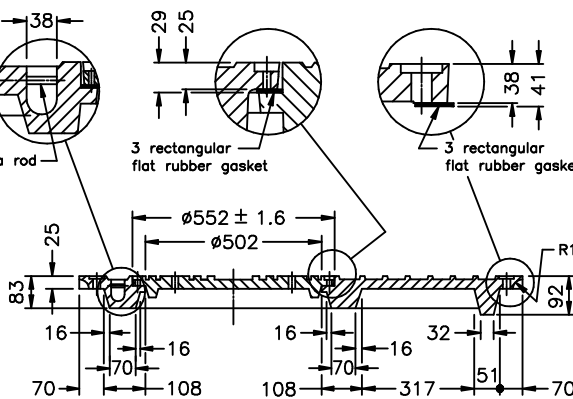
SECTION F-F



CIRCULAR COVER



SECTION G-G



SECTION C-C

NOTES:

1. All bolts to be 304 stainless steel.
2. All dimensions are in millimeter unless otherwise shown.
3. Material: Cast Iron ASTM A48 Clas 30B
4. Tolerance should be ± 0.0625 ", unless otherwise specified.

REV. NO	DATE	SIGN	DATE	<p>APG Castings Inc. Suite 232, 14-3650 Langstaff Rd, Woodbridge, ON, L4L 9A8</p>				
DRAWN	T.JANA	17.10.2025						
CHECKED	M. GANGULY	17.10.2025						
QA								
MFG				TITLE :- OPSD 402.030				
APPRVD BUYER				SCALE NTS	<p>THIRD ANGLE</p>	DWG NO :-	Material:- CAST IRON	
ESTMTD. WT						LOAD RATING :	PAIN: UNPAINTED	SHEET : 1 OF 1