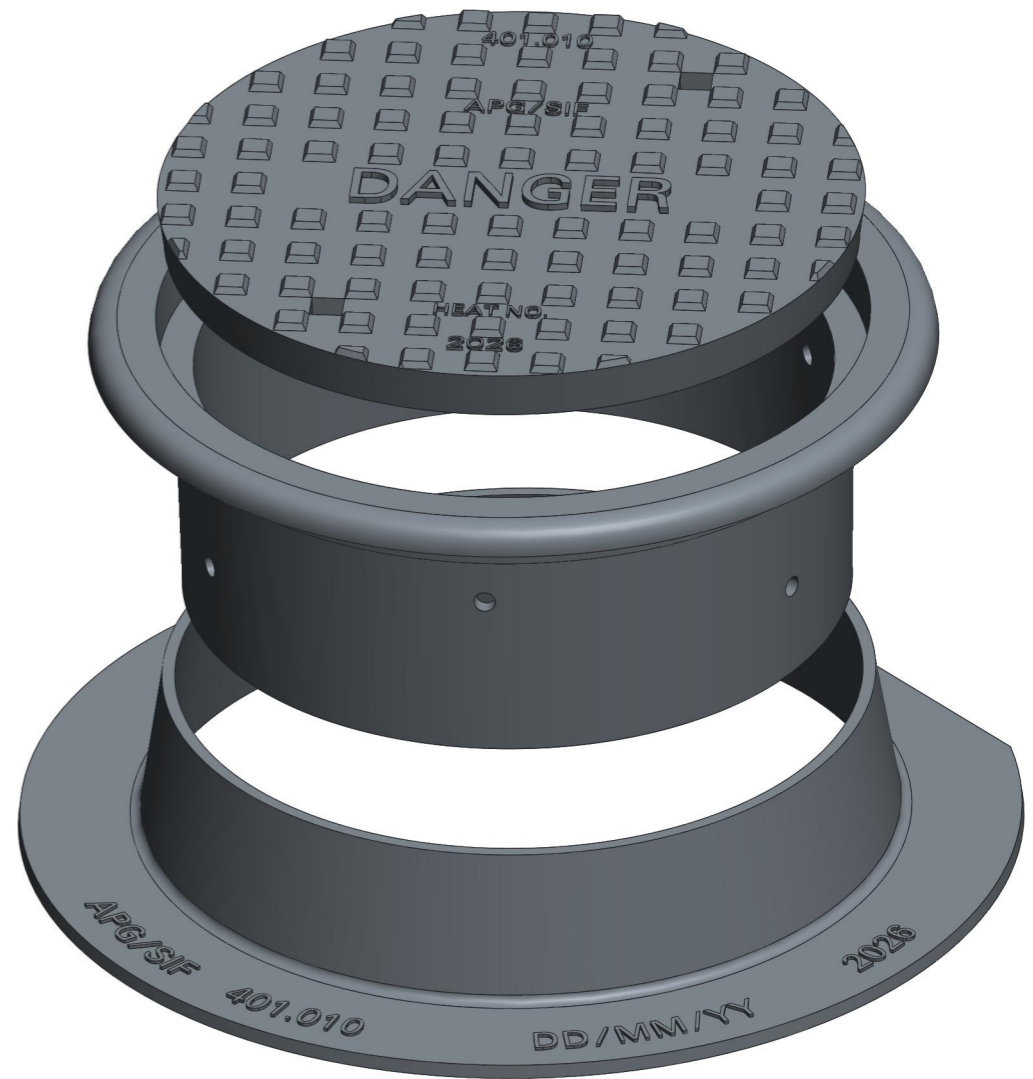
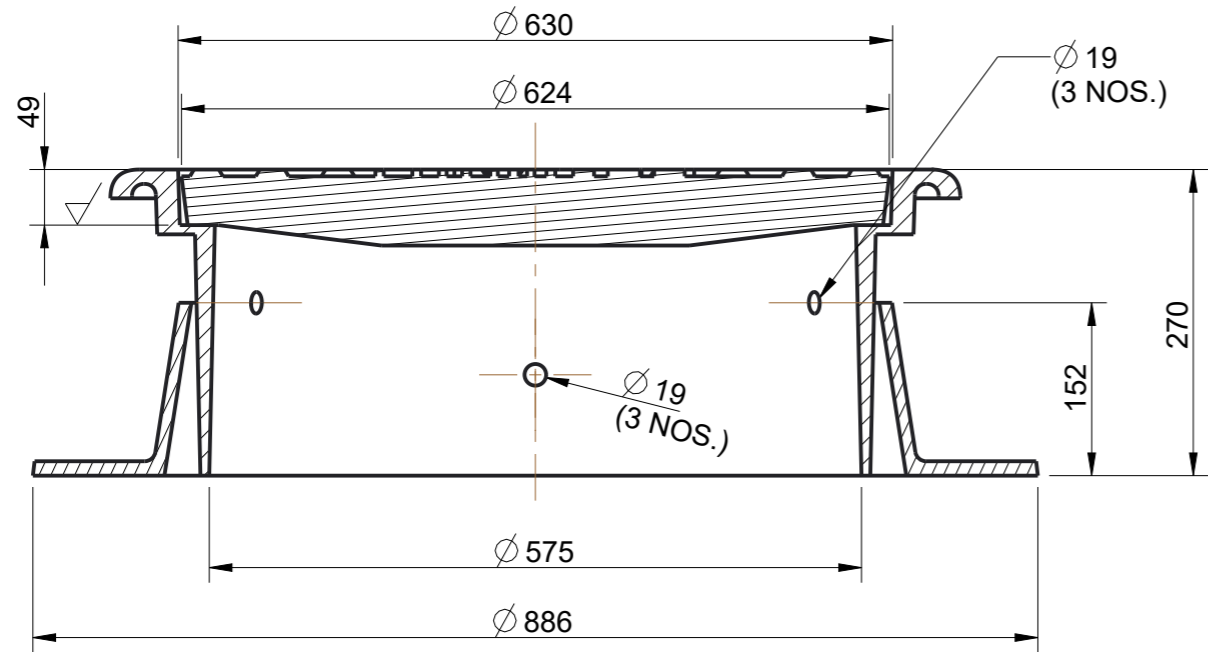


SECTION B-B





MATERIAL:-
 COVER:- CAST IRON
 FRAME:- DUCTILE IRON
 GUIDE FRAME:- CAST IRON



SECTION A-A

- NOTES:
1. All dimensions are in millimeter unless otherwise shown.
 2. Material: COVER & GUIDE FRAME:- Cast Iron ASTM A48 Clas 30B
 FRAME:- Ductile Iron Grade 500/7
 3. Tolerance should be ± 0.0625 ", unless otherwise specified.

ALL DIMENSIONS ARE IN MM.

REV NO.	DATE			APG Castings Inc. Suite 232, 14-3650 Langstaff Rd, Woodbridge, ON, L4L 9A8	
DRAWN	T.JANA	Nov-01-25			
CHKED	M.GANGULY	Nov-01-25			
QA			TITLE: SELF ADJUSTABLE 3 PIECE MANHOLE OPSD 401.010		
MFG					
APPRVD			SCALE: NTS 	DWG NO. LOAD RATING	MATERIAL SHEET
BUYER					
ESTMTD. WT.					