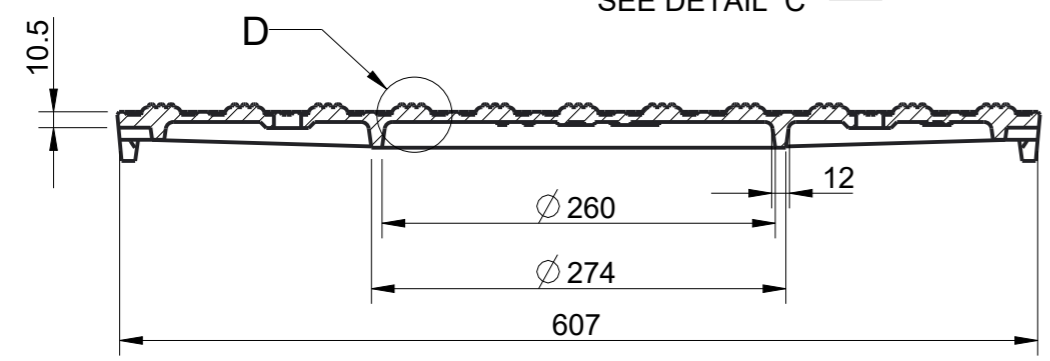
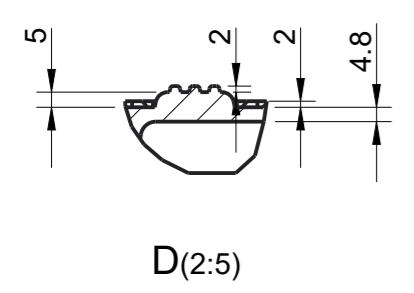


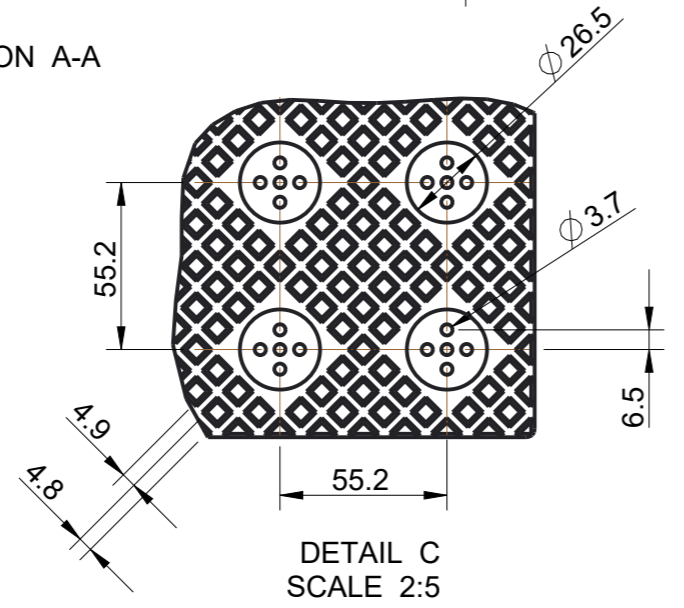
SEE DETAIL C



SECTION A-A



D(2:5)





DETAIL C SCALE 2:5

NOTES:

1. All dimensions are in millimeter unless otherwise shown.
2. Material: Cast Iron ASTM A48 Clas 35B
3. Tolerance should be ± 0.0625 ", unless otherwise specified.

ALL DIMENSIONS ARE IN MM.

REV NO.	DATE					
	SIGN	DATE	 APG Castings Inc. Suite 232, 14-3650 Langstaff Road, Woodbridge, ON, L4L 9A8			
DRAWN	T.JANA	Feb-18-26				
CHKED	M.GANGULI	Feb-18-26	TITLE: 24"X24" WARNING PLATE			
QA						
MFG			SCALE: NTS  THIRD ANGLE	DWG NO. LOAD RATING	PAINT BLACK BITUMEN	MATERIAL CAST IRON SHEET
APPRVD						
BUYER						